

# Product datasheet

## L 18 W/840

LUMILUX T8 | Tubular fluorescent lamps 26 mm, with G13 bases



# Product datasheet

## Technical data

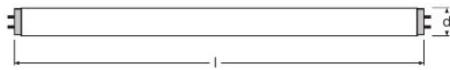
### Electrical data

Nominal current	0.37 A A
-----------------	----------

### Photometrical data

Light color (designation)	LUMILUX Cool White
Rated LLMF at 2,000 h	0.96
Rated LLMF at 4,000 h	0.94
Rated LLMF at 6,000 h	0.93
Rated LLMF at 8,000 h	0.91
Rated LLMF at 12,000 h	0.91
Rated LLMF at 16,000 h	0.9
Rated LLMF at 20,000 h	0.96
Luminous flux	1300 lm

### Dimensions & weight



Tube diameter	26 mm
Length with base excl. base pins/connection	590,00 mm
Product weight	77.00 g
Overall length	604.00 mm

### Lifespan

Service life	18000 h
--------------	---------

### Additional product data

Mercury content	3.0 mg
Appropriate disposal acc. to WEEE	Yes
Predecessor EAN	4050300443409

## Product datasheet

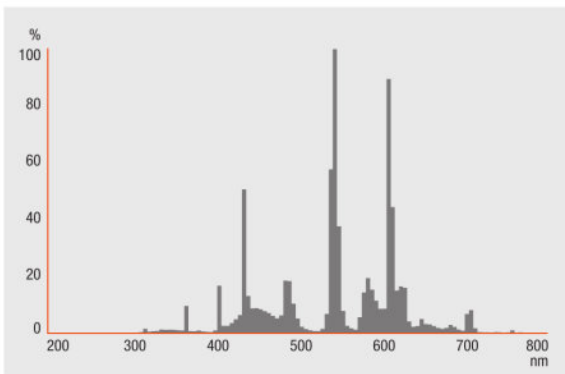
### Certificates & standards

Energy efficiency class	G
Energy consumption	19.00 kWh/1000h

### Environmental information

Information according Art. 33 of EU Regulation (EC) 1907/2006 (REACH)	
Date of Declaration	30-06-2022
Primary Article Identifier	4050300517797
Declaration No. in SCIP database	In work

### Light Distribution

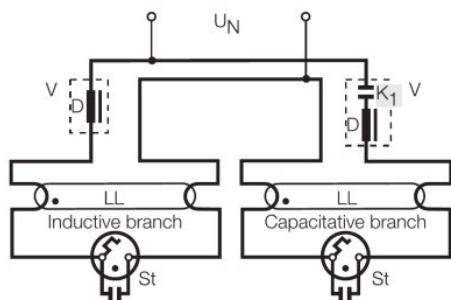


FL\_840

### System guarantee

OSRAM System+ Guarantee in combination with OSRAM ECGs

## Product datasheet



### DUO CIRCUIT

#### Ecodesign regulation information:

Separate control gear and light sources must be disposed of at certified disposal companies in accordance with Directive 2012/19/EU (WEEE) in the EU and with Waste Electrical and Electronic Equipment (WEEE) Regulations 2013 in the UK. For this purpose, collection points for recycling centres and take-back systems (CRSO) are available from retailers or private disposal companies, which accept separate control gear and light sources free of charge. In this way, raw materials are conserved and materials are recycled.

#### Logistical Data

Product code	Product description	Packaging unit (Pieces/Unit)	Dimensions (length x width x height)	Volume	Gross weight
4050300517797	L 18 W/840	Shipping carton box 25 Pieces Sleeves	634 mm x 151 mm x 153 mm	14.65 dm <sup>3</sup>	2443.00 g

The mentioned product code describes the smallest quantity unit which can be ordered. One shipping unit can contain one or more single products. When placing an order, for the quantity please enter single or multiples of a shipping unit.

#### References / Links

For more information on the system guarantee and the terms and conditions of the guarantee visit [https://](https://www.inventronics-light.com/multilevel-guarantees)

- ▶ [www.inventronics-light.com/multilevel-guarantees](https://www.inventronics-light.com/multilevel-guarantees)

For more information on QUICKTRONIC electronic control gear go to

- ▶ [www.osram.com/QUICKTRONIC](https://www.osram.com/QUICKTRONIC)

#### Disclaimer

Subject to change without notice. Errors and omission excepted. Always make sure to use the most recent release.

OSRAM is distribution partner  
of LEDVANCE of LAMPS

**OSRAM**

OSRAM GmbH  
Marcel-Breuer-Strasse 6  
80807 Munich, Germany

## L 18 W/840

LUMILUX T8 | Tubular fluorescent lamps 26 mm, with G13 bases

Product name	Product name ECG	EAN	Nominal current	Nominal wattage + Power loss	Power factor $\lambda$ [PIM]	Luminous flux at 35 °C
L 18 W/840	QT-ECO 1x18-24/220-240 S	4050300638560	0.14 A	19.00 W	0.60 c	1250 lm
	QT-FIT 5/8 1x18-39	4008321873927	0.10 A	21.00 W	0.95	1350 lm
	QT-FIT 5/8 2x18-39	4008321873903	0.17 A	39.00 W	0.95	1350 lm
	QT-FIT8 1x18	4008321294180	0.09 A	19.00 W	0.95	1350 lm
	QT-FIT8 2x18	4008321294241	0.16 A	36.00 W	0.98	1350 lm
	QT-FIT8 3x18, 4x18	4008321294302	0.33 A	74.00 W	0.99	1350 lm
	QT-FIT8 3x18, 4x18	4008321294302	0.25 A	54.00 W	0.97	1350 lm
	QTi 1x14/24/21/39 GII	4008321383334	0.09 A	19.00 W	0.93 c	1350 lm
	QTi 2x14/24/21/39 GII	4008321383396	0.17 A	37.00 W	0.96	1350 lm
	QTi DALI 2x18 DIM	4050300870526	0.16 A	36.50 W	0.97	1350 lm
	QTi DALI 3x18 DIM	4008321069979	0.24 A	53.60 W	0.98	1350 lm
	QTi DALI 4x18 DIM	4008321070050	0.31 A	69.30 W	0.98	1350 lm
	QTP-M 1x26-42	4008321329134	0.10 A	19.00 W	0.88 c	1350 lm
	QTP-M 2x26-32	4008321329158	0.17 A	36.00 W	0.95	1350 lm
	QTP-OPTIMAL 1x18-40	4008321873743	0.10 A	20.00 W	0.95	1350 lm
	QTP-OPTIMAL 2x18-40	4008321873767	0.17 A	39.00 W	0.95	1350 lm
	QTz8 1x18	4008321863263	0.09 A	20.00 W	0.95	1350 lm

## Product datasheet

Product name	Product name ECG	EAN	Nominal current	Nominal wattage + Power loss	Power factor $\lambda$ [PIM]	Luminous flux at 35 °C
	QTz8 2x18	4008321863300	0.09 A	23.00 W	0.95	1350 lm
	QTz8 4x18	4008321863362	0.25 A	54.00 W	0.97	1350 lm

Product name	Product name ECG	EAN	Number of lighting outlets	EEI – Energy Label
L 18 W/840	QT-ECO 1x18-24/220-240 S	4050300638560	1	A2
	QT-FIT 5/8 1x18-39	4008321873927	1	
	QT-FIT 5/8 2x18-39	4008321873903	2	
	QT-FIT8 1x18	4008321294180	1	
	QT-FIT8 2x18	4008321294241	2	
	QT-FIT8 3x18, 4x18	4008321294302	4	
	QT-FIT8 3x18, 4x18	4008321294302	3	
	QTi 1x14/24/21/39 GII	4008321383334	1	
	QTi 2x14/24/21/39 GII	4008321383396	2	
	QTi DALI 2x18 DIM	4050300870526	2	
	QTi DALI 3x18 DIM	4008321069979	3	
	QTi DALI 4x18 DIM	4008321070050	4	
	QTP-M 1x26-42	4008321329134	1	
	QTP-M 2x26-32	4008321329158	2	
	QTP-OPTIMAL 1x18-40	4008321873743	1	
	QTP-OPTIMAL 2x18-40	4008321873767	2	
	QTz8 1x18	4008321863263	1	
	QTz8 2x18	4008321863300	2	

## Product datasheet

Product name	Product name ECG	EAN	Number of lighting outlets	EEI – Energy Label
	QTz8 4x18	4008321863362	4	