

Product datasheet

FC 22 W/830

LUMILUX T5 FC | Circular fluorescent lamps 16 mm, with 2GX13 base



Product datasheet

Technical data

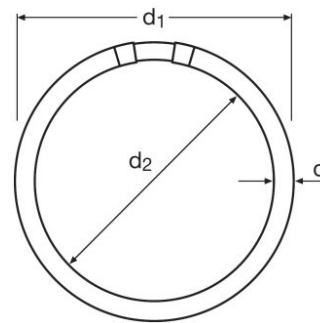
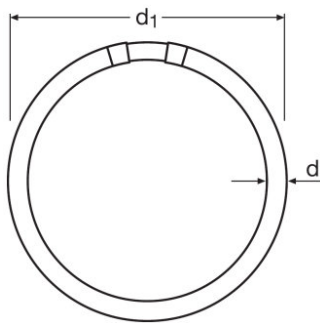
Electrical data

Nominal current	0.3 A A
-----------------	---------

Photometrical data

Light color (designation)	LUMILUX Warm White
Rated LLMF at 2,000 h	0.85
Rated LLMF at 4,000 h	0.83
Rated LLMF at 6,000 h	0.8
Rated LLMF at 8,000 h	0.8
Rated LLMF at 12,000 h	0.75
Luminous flux	1800 lm

Dimensions & weight



Tube diameter	16 mm
Product weight	81.00 g
Overall length	240.00 mm

Lifespan

Service life	8000 h
--------------	--------

Additional product data

Mercury content	3.0 mg
Product remark	Suitable for ECG operation only
Appropriate disposal acc. to WEEE	Yes

Certificates & standards

Energy efficiency class	G
-------------------------	---

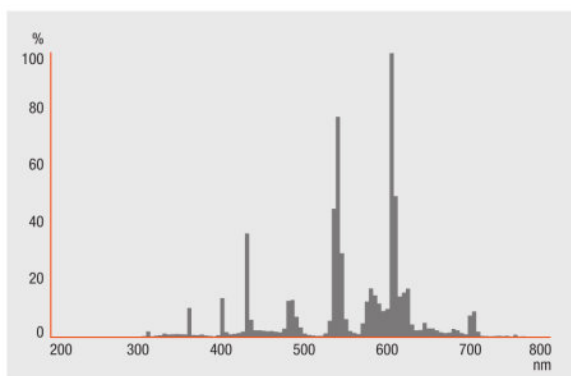
Product datasheet

Energy consumption	24.00 kWh/1000h
--------------------	-----------------

Environmental information

Information according Art. 33 of EU Regulation (EC) 1907/2006 (REACH)	
Date of Declaration	19-01-2022
Primary Article Identifier	4050300528489
Declaration No. in SCIP database	In work

Light Distribution



FL_830

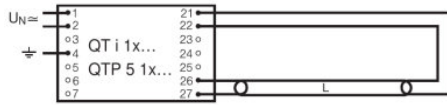
System guarantee

OSRAM System+ Guarantee in combination with OSRAM ECGs

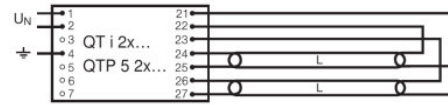
Equipment / Accessories

– Exclusively for operation on electronic control gears

Product datasheet



QUICKTRONIC INTELLIGENT QT i 1x QTP 5 1x



QUICKTRONIC INTELLIGENT QT i 2x QTP 5 2x

Ecodesign regulation information:

Separate control gear and light sources must be disposed of at certified disposal companies in accordance with Directive 2012/19/EU (WEEE) in the EU and with Waste Electrical and Electronic Equipment (WEEE) Regulations 2013 in the UK. For this purpose, collection points for recycling centres and take-back systems (CRSO) are available from retailers or private disposal companies, which accept separate control gear and light sources free of charge. In this way, raw materials are conserved and materials are recycled.

Logistical Data

Product code	Product description	Packaging unit (Pieces/Unit)	Dimensions (length x width x height)	Volume	Gross weight
4050300528489	FC 22 W/830	Shipping carton box 12 Pieces Folding carton box	375 mm x 245 mm x 253 mm	23.24 dm ³	1865.00 g

The mentioned product code describes the smallest quantity unit which can be ordered. One shipping unit can contain one or more single products. When placing an order, for the quantity please enter single or multiples of a shipping unit.

References / Links

For more information on the system guarantee and the terms and conditions of the guarantee visit [https://](https://www.inventronics-light.com/multilevel-guarantees)

▶ www.inventronics-light.com/multilevel-guarantees

For more information on QUICKTRONIC electronic control gear go to

▶ www.osram.com/QUICKTRONIC

Disclaimer

Subject to change without notice. Errors and omission excepted. Always make sure to use the most recent release.

OSRAM is distribution partner
of LEDVANCE of LAMPS

OSRAM

OSRAM GmbH
Marcel-Breuer-Strasse 6
80807 Munich, Germany

FC 22 W/830

LUMILUX T5 FC | Circular fluorescent lamps 16 mm, with 2GX13 base

Product name	Product name ECG	EAN	Nominal current	Nominal wattage + Power loss	Power factor λ [PIM]	Luminous flux at 35 °C
FC 22 W/830	QT-ECO 1x18-24/220-240 S	4050300638560	0.16 A	22.50 W	0.60 c	1650 lm
	QTi 1x14/24/21/39 GII	4008321383334	0.15 A	25.00 W	0.94 c	1800 lm
	QTi 1x14/24 DIM	4050300870922	0.11 A	25.00 W	0.98	1750 lm
	QTi 2x14/24/21/39 GII	4008321383396	0.21 A	49.00 W	0.96	1800 lm
	QTi 2x14/24 DIM	4050300870946	0.22 A	49.00 W	0.98	1750 lm
	QTi 3x14/24 DIM	4008321069719	0.32 A	73.00 W	0.99	1750 lm
	QTi 4x14/24 DIM	4008321069993	0.43 A	98.00 W	0.99	1750 lm
	QTi DALI 1x14/24 DIM	4050300870380	0.11 A	25.00 W	0.98	1750 lm
	QTi DALI 2x14/24 DIM	4050300870861	0.22 A	49.00 W	0.98	1750 lm
	QTi DALI 3x14/24 DIM	4008321069955	0.32 A	73.00 W	0.99	1750 lm
	QT-M 2x26-42/220-240 S	4008321110022	0.36 A	54.00 W	0.97	1600 lm
	QTP-M 1x26-42	4008321329134	0.12 A	25.00 W	0.94 c	1800 lm
	QTP-M 2x26-32	4008321329158	0.22 A	49.00 W	0.97	1800 lm

Product name	Product name ECG	EAN	Number of lighting outlets	Luminous flux at 25 °C
FC 22 W/830	QT-ECO 1x18-24/220-240 S	4050300638560	1	
	QTi 1x14/24/21/39 GII	4008321383334	1	

Product datasheet

Product name	Product name ECG	EAN	Number of lighting outlets	Luminous flux at 25 °C
	QTi 1x14/24 DIM	4050300870922	1	
	QTi 2x14/24/21/39 GII	4008321383396	2	
	QTi 2x14/24 DIM	4050300870946	2	
	QTi 3x14/24 DIM	4008321069719	3	
	QTi 4x14/24 DIM	4008321069993	4	
	QTi DALI 1x14/24 DIM	4050300870380	1	
	QTi DALI 2x14/24 DIM	4050300870861	2	
	QTi DALI 3x14/24 DIM	4008321069955	3	
	QT-M 2x26-42/220-240 S	4008321110022	2	1600 lm
	QTP-M 1x26-42	4008321329134	1	
	QTP-M 2x26-32	4008321329158	2	