



PL-H

PL-H 85W/841 ALTO 1CT

Philips Linear Compact Fluorescent Lamps offer designers, specifiers and end-users new levels of efficiencies and versatility in sizes, configurations and application possibilities. With so many elegant fixtures available to complement their small size, high light output and advanced technology, Philips Energy Advantage lamps are fast becoming the preferred choice when maximum efficiency and sleek design solutions are required.

Product data

• General Characteristics

System Description	-
Base	2G8-1
Base Information	4P
Rated Avg. Life	20000 hr
Life to 50% fail Nonpreh EL,3h	10000 hr
Life to 10% fail Nonpreh EL,3h	7500 hr
Life to 10% fail Preheat EL,3h	14000 hr
LSF HF Preheat 20000h Rated,3h	50 %
LSF HF Preheat 16000h Rated,3h	82 %
LSF HF Preheat 12000h Rated,3h	96 %
LSF HF Preheat 8000h Rated,3h	98 %
LSF HF Preheat 6000h Rated,3h	99 %
LSF HF Preheat 4000h Rated,3h	99 %
LSF HF Preheat 2000h Rated,3h	99 %

• Light Technical Characteristics

Color Code	841 [CCT of 4100K]
Color Rendering Index	82 Ra8
Color Designation	Cool White
Color Temperature	4100 K
Chromaticity Coordinate X	384 -
Chromaticity Coordinate Y	391 -

Lum Efficacy Rated HF 25°C	71 Lm/W
LLMF HF 20000h Rated	80 %
LLMF HF 16000h Rated	82 %
LLMF HF 12000h Rated	84 %
LLMF HF 8000h Rated	86 %
LLMF HF 6000h Rated	88 %
LLMF HF 4000h Rated	90 %
LLMF HF 2000h Rated	92 %
Luminous Flux EL 25°C, Rated	6000 Lm
Luminous Flux EL 25°C, Nominal	6000 Lm
Design Temperature	30 C

• Electrical Characteristics

Watts	85 W
Lamp Voltage EL 25°C	110 V
Lamp Current EL 25°C	0.800 A
Dimmable	Yes
Lamp Wattage EL 25°C, Rated	85.0 W
Lamp Wattage EL 25°C, Nominal	85 W

PHILIPS

sense and simplicity

• Environmental Characteristics

Energy Efficiency Label (EEL)	B
Mercury (Hg) Content	4 mg

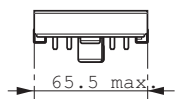
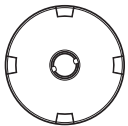
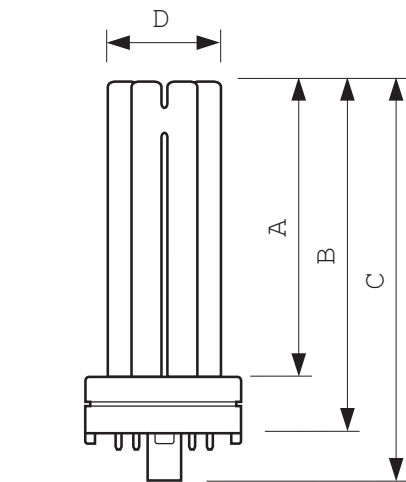
• Product Dimensions

Base Face to Base Face A	182 (max) mm
Insertion Length B	208 (max) mm
Overall Length C	223 (max) mm
Diameter D	59 (max) mm

• Product Data

Product number	133710
Full product name	PL-H 85W/841 ALTO 1CT
Short product name	PL-H 85W/841 ALTO 10PK
Pieces per Sku	1
eop_pck_cfg	10
Skus/Case	10
Bar code on pack	46677133719
Bar code on case	50046677133714
Logistics code(s)	927932484020
tpd_ilcos_cd	FSM6H-85/40/1B-L/P-2G8=1
eop_net_weight_pp	178.000 gr

Dimensional drawing

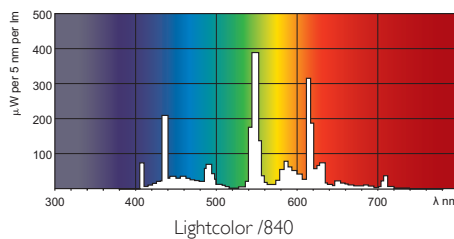
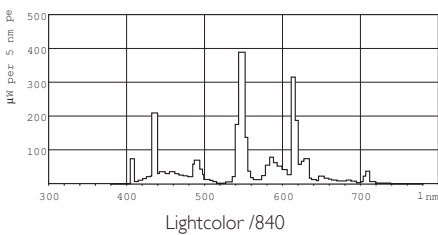


2G8-1

2G8-1, 4P

Product	A (Max)	B (Max)	C (Max)	D (Max)
PL-H 85W/840/4P A	182	208	223	59

Photometric data





© 2012 Koninklijke Philips Electronics N.V.
All rights reserved.

Specifications are subject to change without notice. Trademarks are the property of Koninklijke Philips Electronics N.V. or their respective owners.

www.philips.com/lighting

2012, February 1
data subject to change